

| ISSUE | DATE | REVISION | APP. |
|-------|------|----------|------|
| | | | |



WARD-BECK SYSTEMS

DRN. *P. MAHONEY*

ENG.

CKD. *Kille*

APP. *Hz*

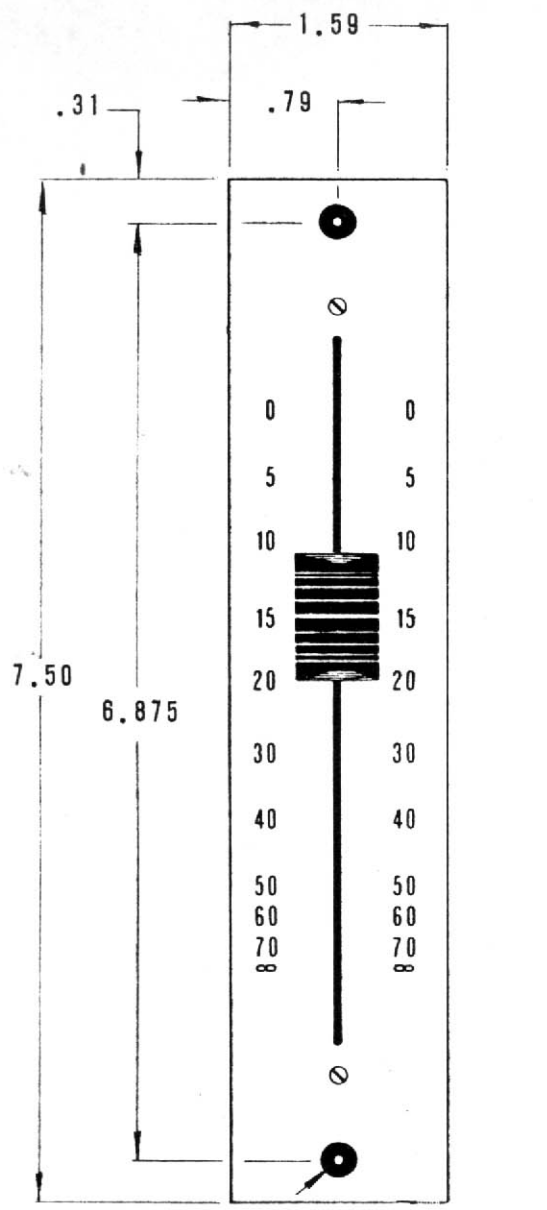
P&G FADER
FRONT PANEL

SCALE

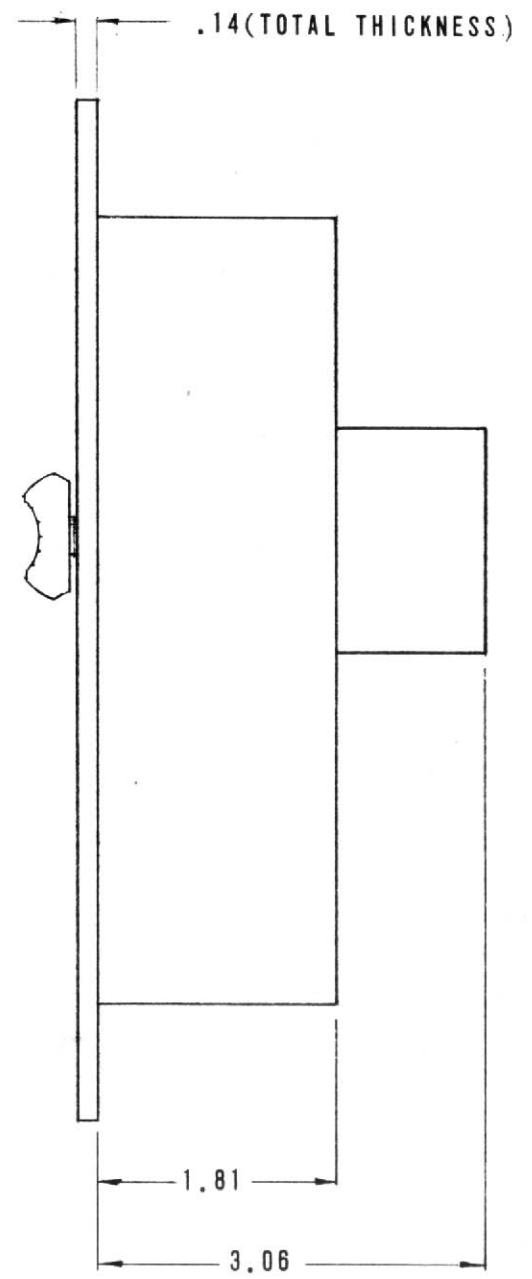
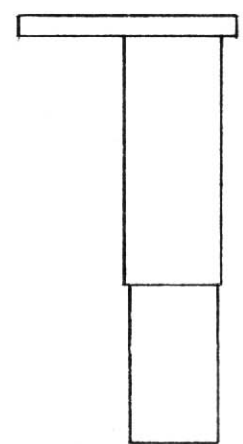
A

12001/2

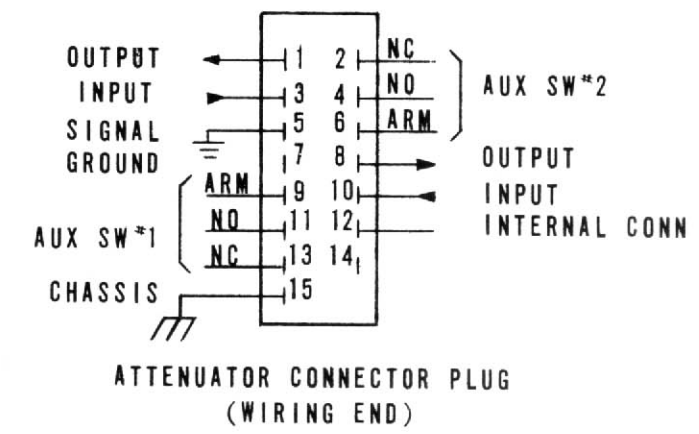
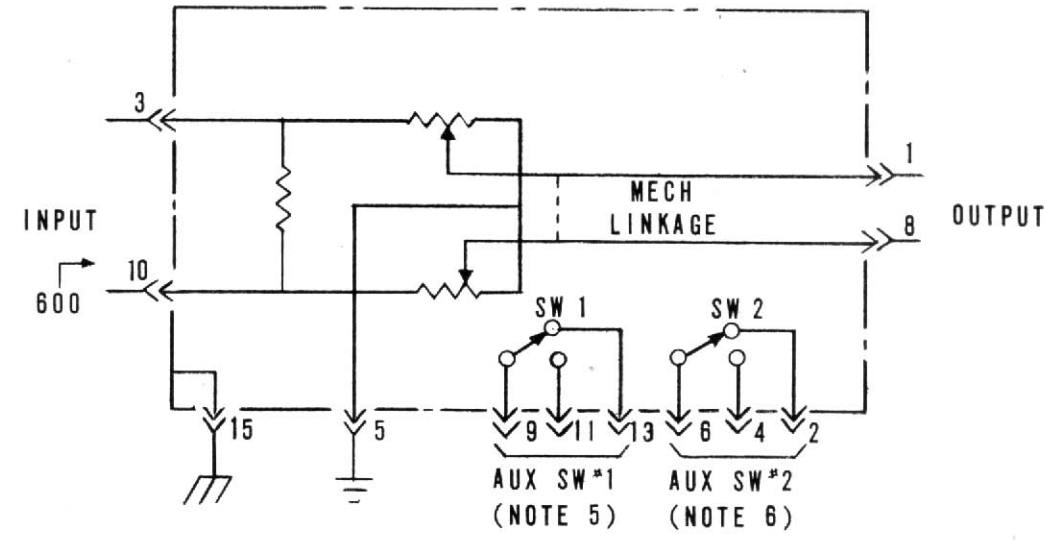
ISSUE
1



2 HOLES .12 DIA &
CSK AT 62° TO .25 DIA



- NOTES;
1. DIMENSIONS ARE IN INCHES
 2. SIMILAR TO PGF 1550/AH 35 SERIES
 3. ESCUTCHEON TO BE MATTE BLACK WITH SILVER LETTERING.
 4. ALL DIMENSIONS $\pm .007$
 5. SW1 OPERATES AT ∞ POSITION 'MAX ATTENUATION'.
 6. SW2 OPERATES AFTER ∞ POSITION 'OVERPRESS'.



| | | | |
|-------|----------|-----------------------|------|
| 5 | 9 JAN 79 | REDRAWN FROM ISSUE 4. | EH |
| ISSUE | DATE | REVISION | APP. |

WBS WARD-BECK SYSTEMS

DRN. EH
 ENG. JAN 79
 CKD. PC
 APP.

**PENNY & GILES FADER
 SCHEMATIC AND LAYOUT**

SCALE **B** 12001 ISSUE 5