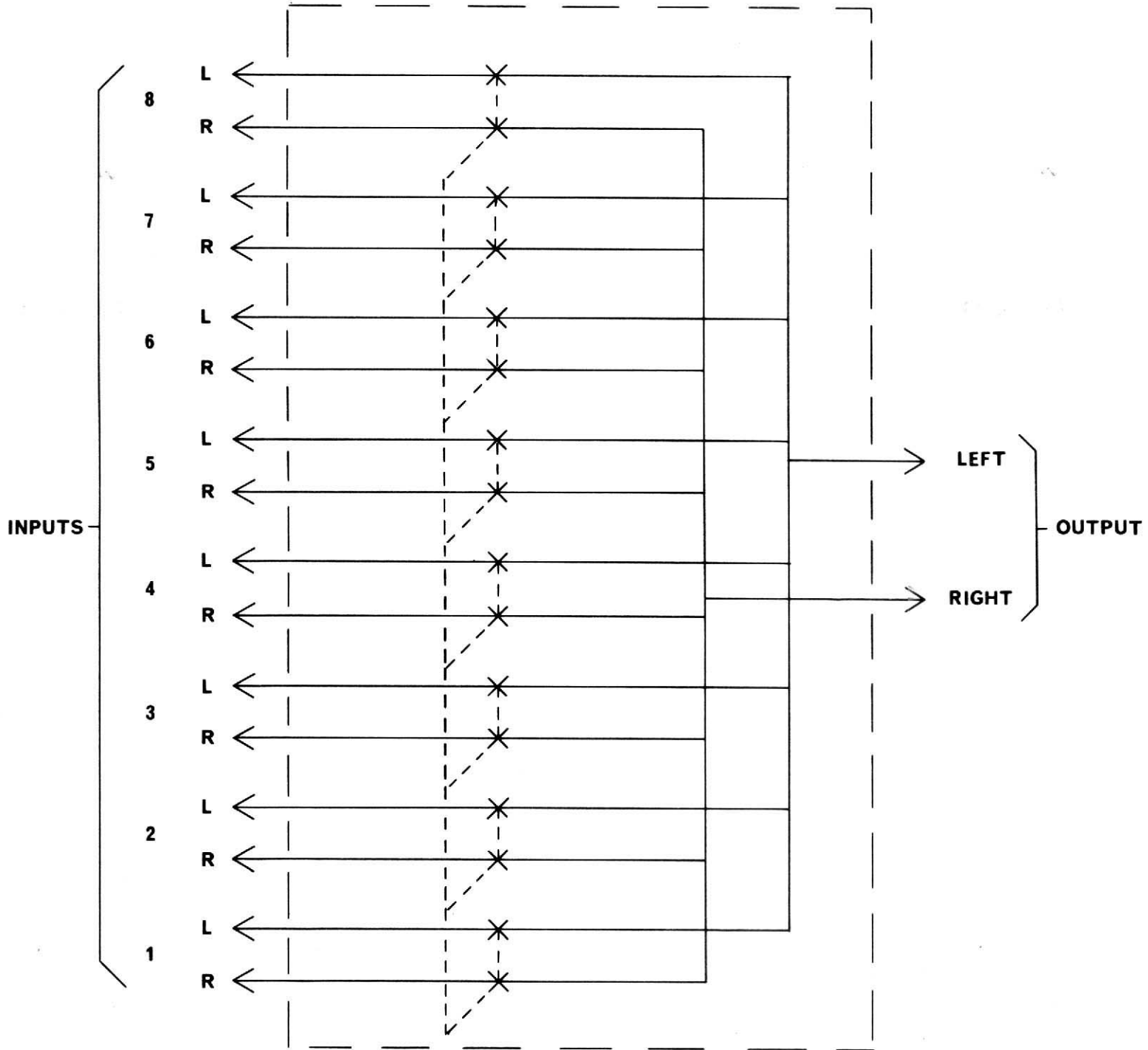


DESIGNATION STRIP to indicate input source.

Interlocked SELECTOR switches SW1 to SW8: Allow routing of any one of eight stereo input pairs to one stereo output pair.

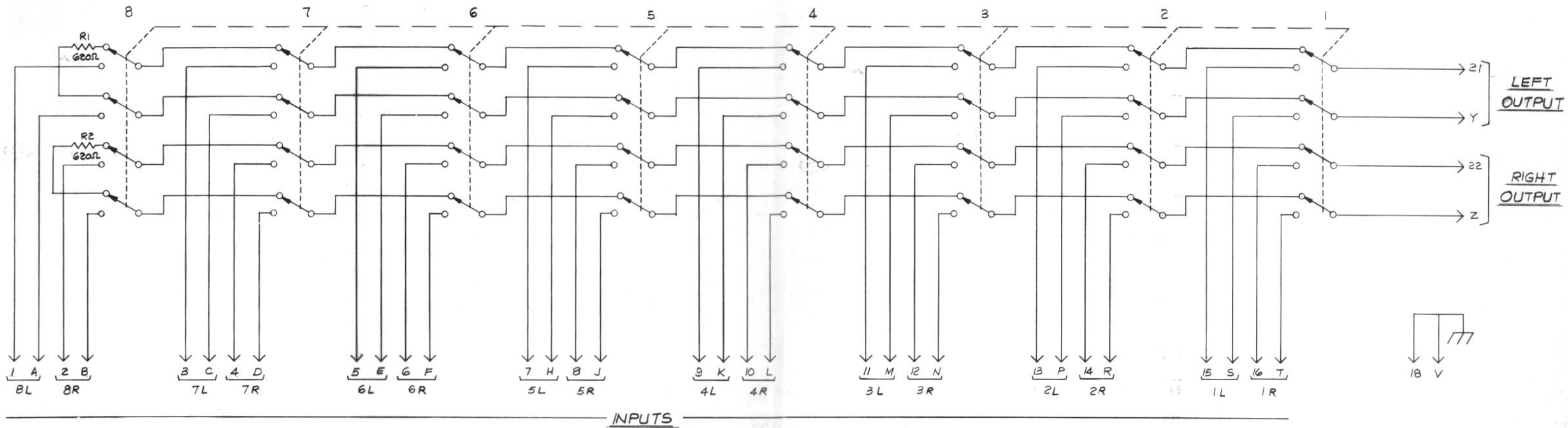
ISSUE	DATE	REVISION	APP.
-------	------	----------	------

WBS WARD-BECK SYSTEMS		M498	
8X1 STEREO SWITCHER MODULE		FRONT PANEL	
DRN. <i>P. HANCOCK</i>			
ENG.			
CKD. <i>Riley</i>			
APP. <i>PH</i> 8-29-77			
SCALE	A	498-04-003	ISSUE 1



ISSUE	DATE	REVISION	APP.

WBS WARD-BECK SYSTEMS DRN. <i>P. MAHONEY</i> ENG. CKD. <i>Rella</i> APP. <i>M</i> 1-24-78 SCALE _____	M498 8X1 STEREO SWITCHER MODULE FUNCTIONAL DIAGRAM		
	B	498-01-001	ISSUE 1



INPUTS

NOTES:

- 1) USE PCB № 7-118
- 2) SWITCH ASSEMBLY IS SCHADOW TYPE
WBS № 11-070

ISSUE	DATE	REVISION	APP.
-------	------	----------	------

WBS WARD-BECK SYSTEMS	
DRN: ELJ/24-77	M 498
ENG: ELJ	8X1 STEREO SWITCHER MODULE
CKD: PSL	SCHEMATIC
APP:	
SCALE	ISSUE
B	498-02-001